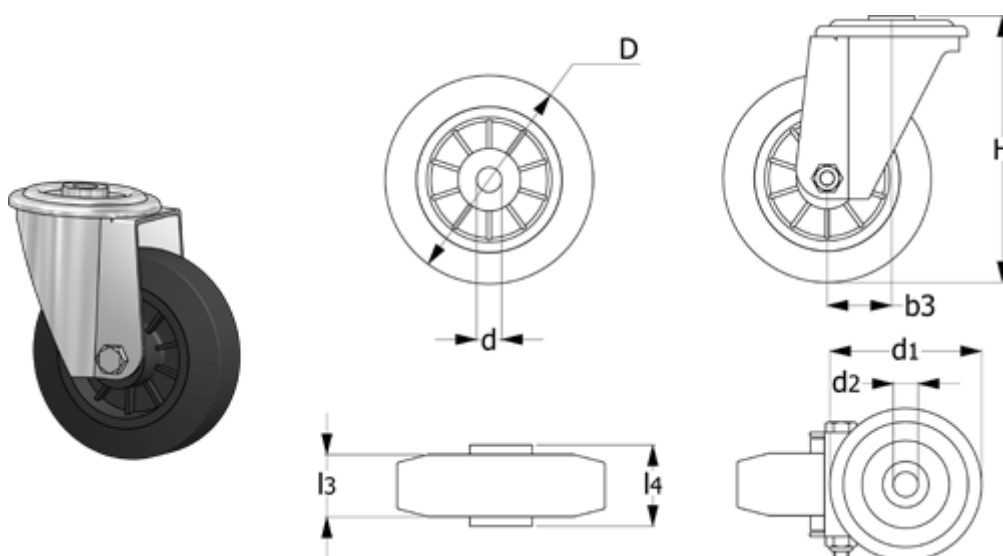


Article number: 2314449706

Description: E+G rubber wheel 449706
RE.E2-100-FBL turning plate u/bremse

Measures



b3	= 35	H	= 128
Code	= 449706	l3	= 30
d	= 12	l4	= 44
D	= 100	Rolling resistance (N)	= 750
d1	= 73	Type	= RE.E2-100-FBL
d2	= 12		
Dynamic load (N)	= 800		
g	= 680		